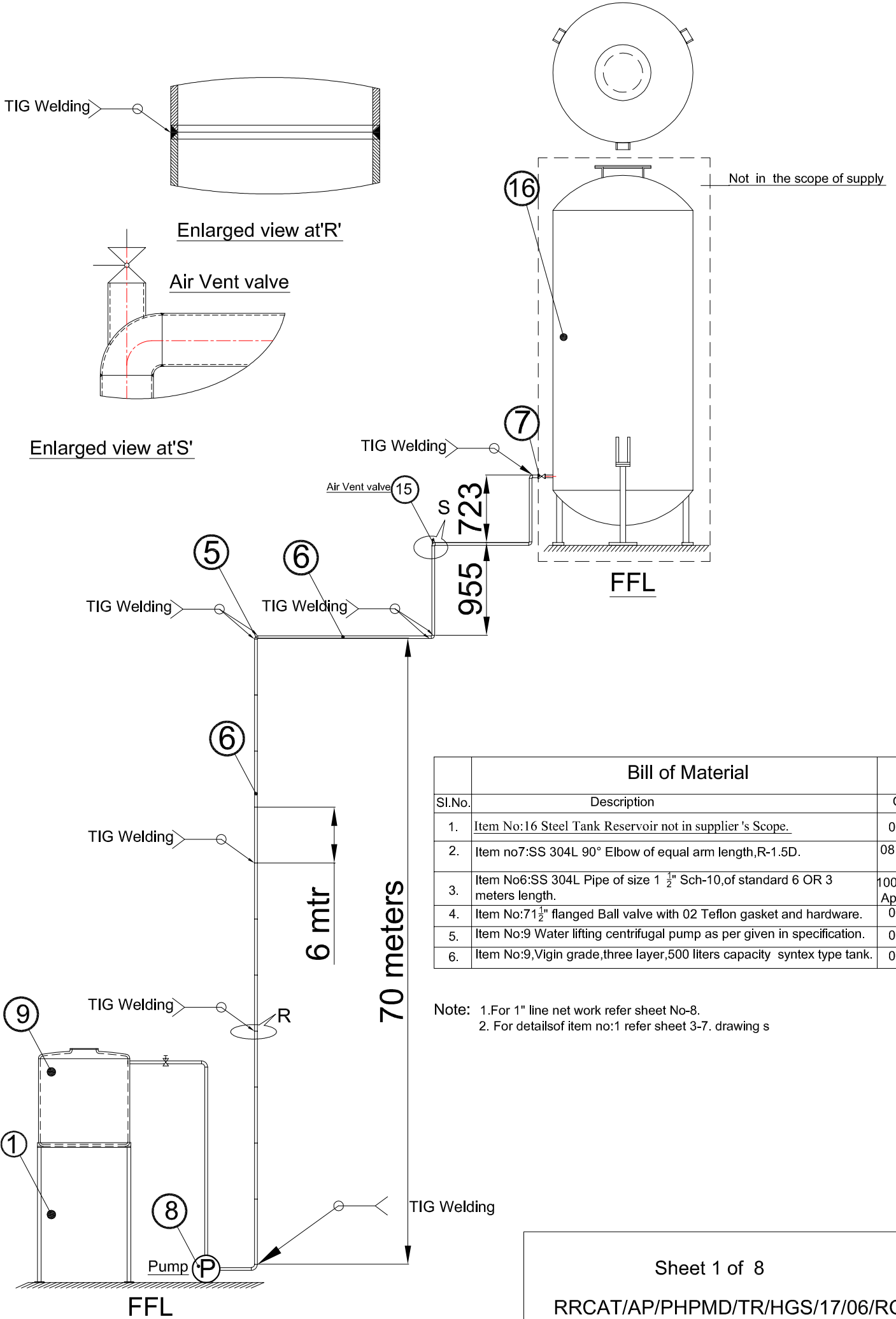
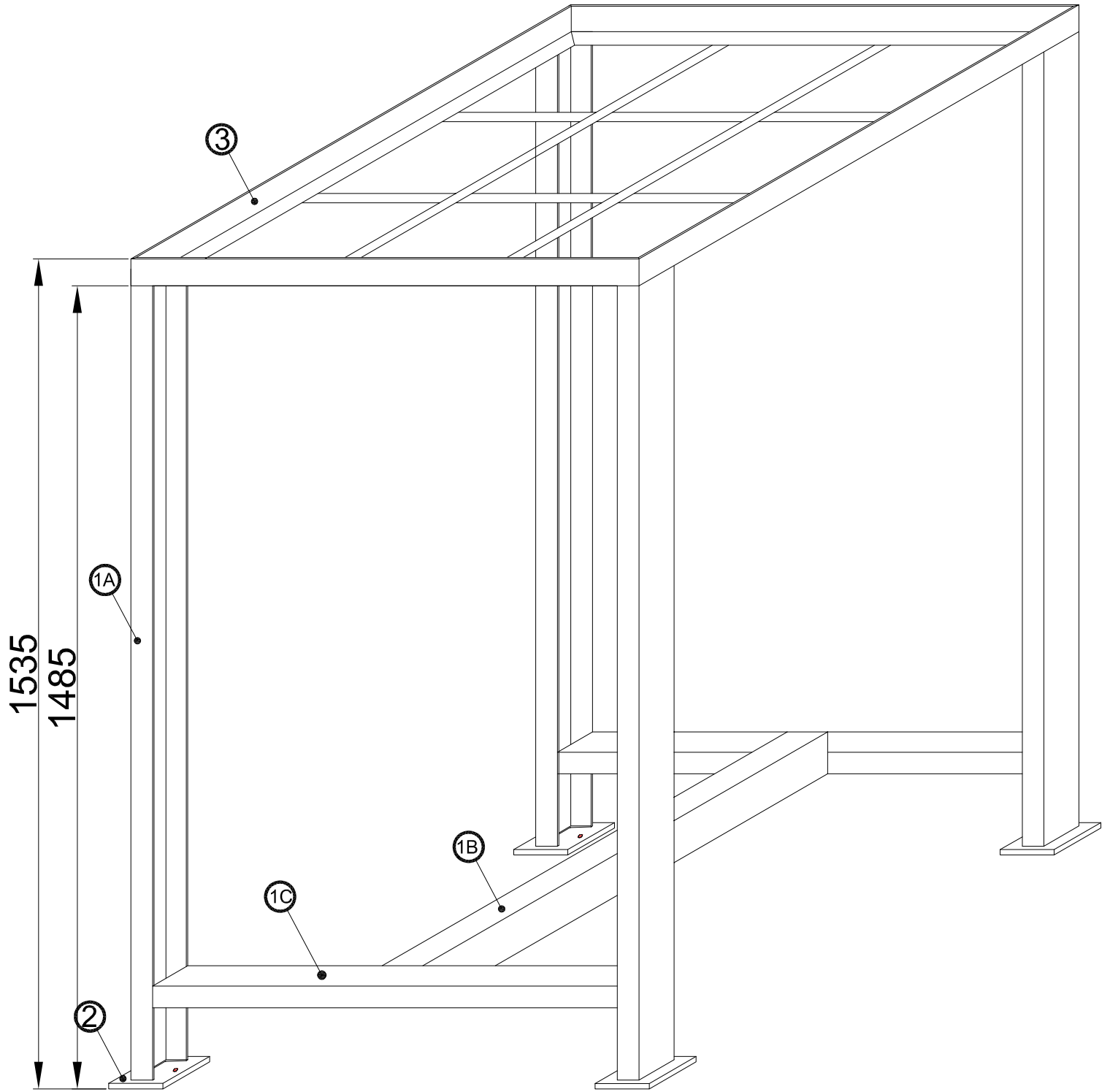


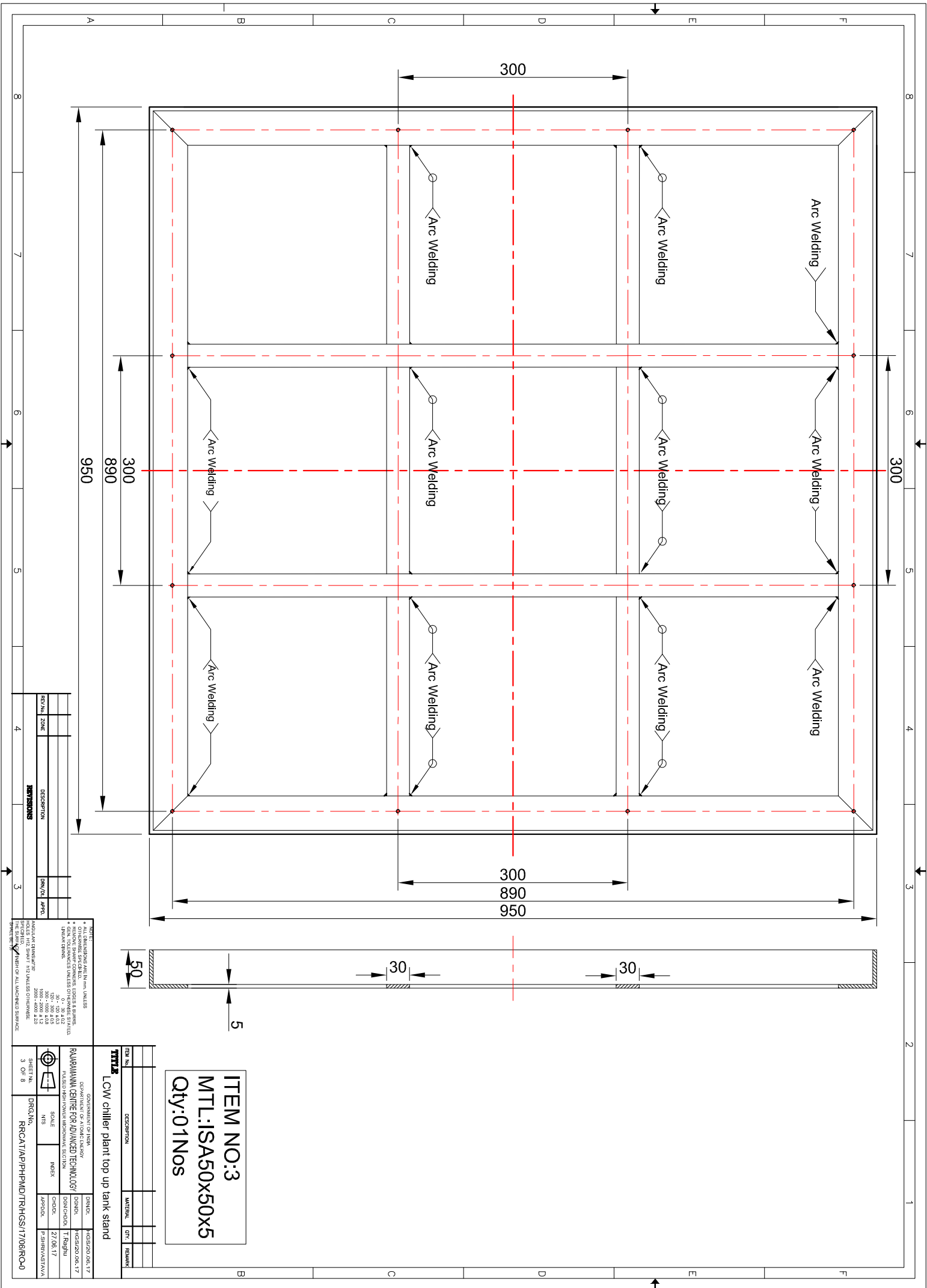
Line lay out from reservoir to top up tank





For details of item no:1 refer sheet 3-7.
drawing s

Item No:1
Mtl:MS(ISLC-75)
Qty:01



ITEM NO:3
MTL:ISA50X50X5
Qty:01Nos

TITLES
 LCW chiller plant top up tank stand

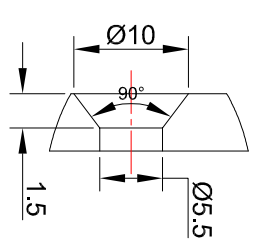
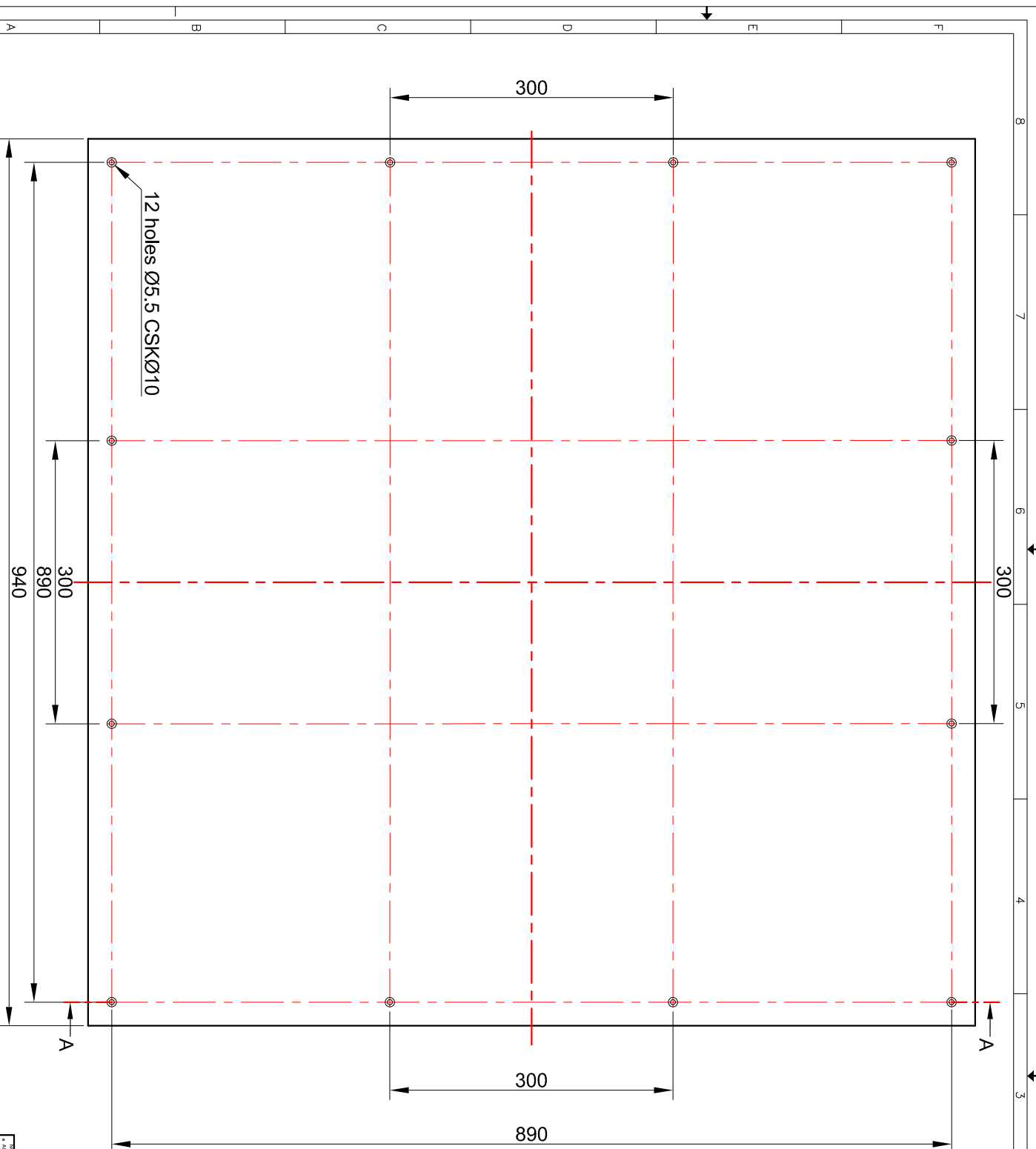
ITEM No.	DESCRIPTION	MATERIAL	QTY	REMARK

GOVERNMENT OF INDIA RAI BAHADURJI CENTRE FOR ADVANCED TECHNOLOGY INDUSTRIAL TRAINING INSTITUTE RAIPUR JHARKHAND PIN-831007	DSNLD HCS/20.06.17
SCALE NRS	DSNLD HCS/20.06.17
DRG NO. RRCAT/AP/PP/MWD/TR/HSS/17/06/RO-0	DSNLD HCS/20.06.17
SHEET No. 3 OF 8	DSNLD HCS/20.06.17

NOTES:
 * ALL DIMENSIONS ARE IN mm UNLESS OTHERWISE SPECIFIED.
 * DIM. TOLERANCES UNLESS OTHERWISE STATED:
 0-30: ±0.10
 30-100: ±0.15
 100-300: ±0.20
 300-1000: ±0.30
 1000-2000: ±0.40
 2000-5000: ±0.50
 5000-10000: ±0.60
 10000-20000: ±0.80
 20000-50000: ±1.00
 50000-100000: ±1.50
 UNLESS THIS SHEET IS TAKEN AS TO DIMENSIONS.
 SPECIFIC DIMENSIONS OF ALL MACHINED SURFACE.

REV. NO.	ZONE	DESCRIPTION	DATE	APP. NO.

REV. NO.	ZONE	DESCRIPTION	DATE	APP. NO.



Enlarged view at 'S'

ITEM NO:4
 MTL:MS
 Qty:01No

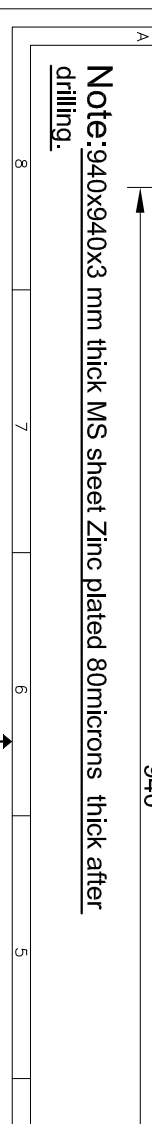
Section at 'A-A'

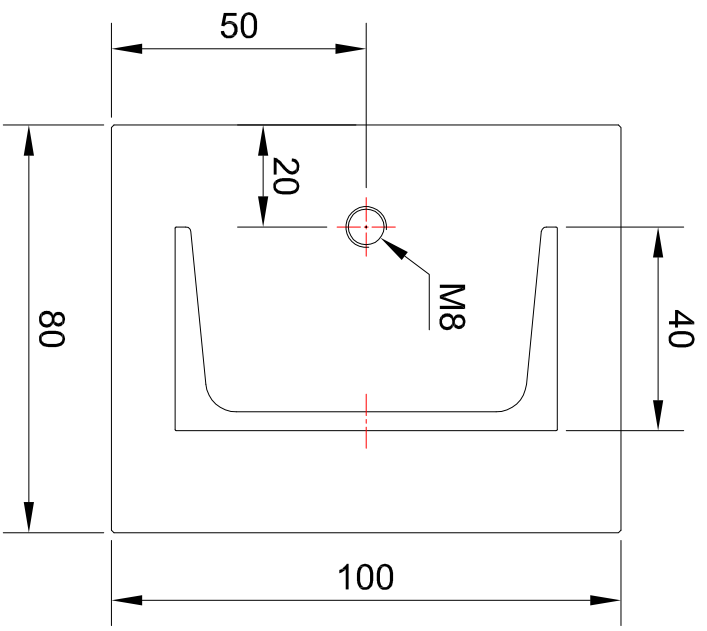
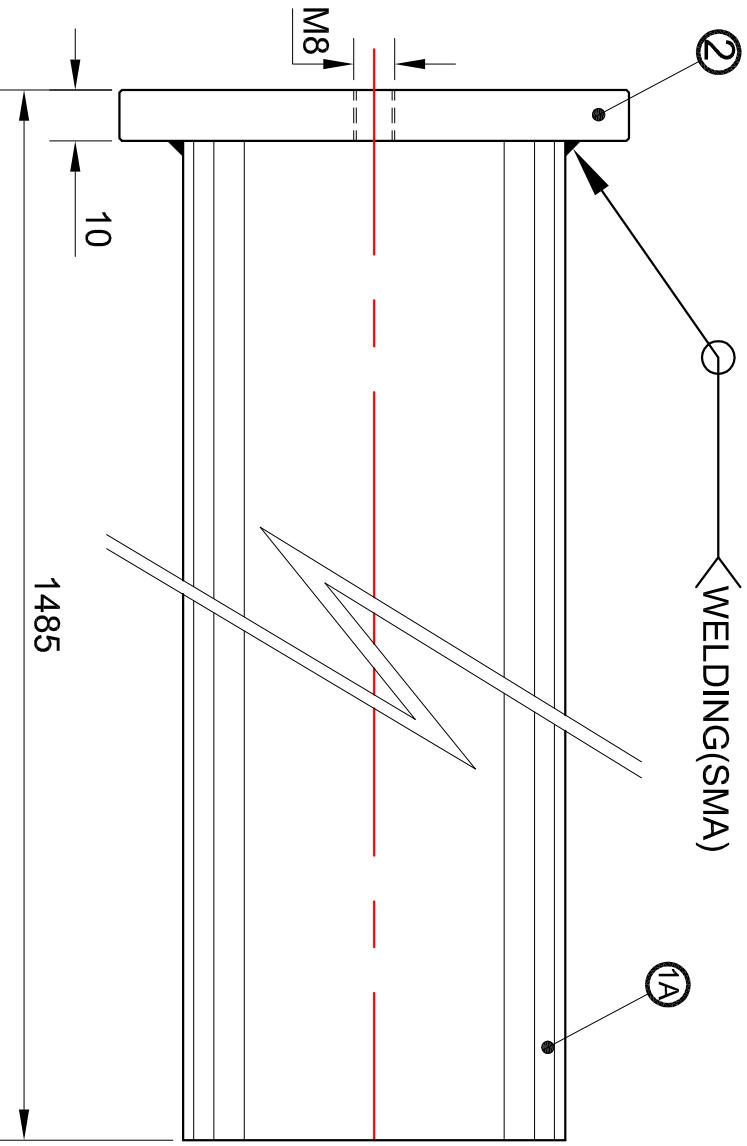
ITEM No.	DESCRIPTION	MATERIAL	QTY	REMARK
4	LCW chiller plant top up tank stand			

LCW chiller plant top up tank stand

GOVERNMENT OF INDIA RAILWAY MAMU CENTRE FOR ADVANCED TECHNOLOGY RAILWAY MATERIALS TESTING STATION NEW DELHI-110016		DRG NO. RRCAT/AP/PPMWD/TR/HSS/17/06/RO-0
DRG NO. RRCAT/AP/PPMWD/TR/HSS/17/06/RO-0	SHEET NO. 4 OF 8	SCALE NRS
DRG NO. RRCAT/AP/PPMWD/TR/HSS/17/06/RO-0	SHEET NO. 4 OF 8	SCALE NRS
DRG NO. RRCAT/AP/PPMWD/TR/HSS/17/06/RO-0	SHEET NO. 4 OF 8	SCALE NRS

Note: 940x940x3 mm thick MS sheet Zinc plated 80microns thick after drilling.





ITEM NO:1A+2
 MTL:ISLC-75
 Qty:04 + 04

REV/NO	ZONE	DESCRIPTION	DRN/DL	APPD.
REVISIONS				

NOTE:
 * ALL DIMENSIONS ARE IN mm, UNLESS OTHERWISE SPECIFIED.
 * REMOVE SHARP CORNERS, EDGES & BURRS.
 * GEN. TOLERANCES UNLESS OTHERWISE STATED.
 LINEAR DIMS.

0 - 30 ± 0.2
30 - 120 ± 0.3
120 - 300 ± 0.5
300 - 1000 ± 0.8
1000 - 2000 ± 1.2
2000 - 4000 ± 2.0

ANGULAR DIMENSIONS
 HOLES, H12 SHAFT H12 UNLESS OTHERWISE SPECIFIED.
 THE SURFACE FINISH OF ALL MACHINED SURFACE
 SHALL BE $\sqrt{3.2}$

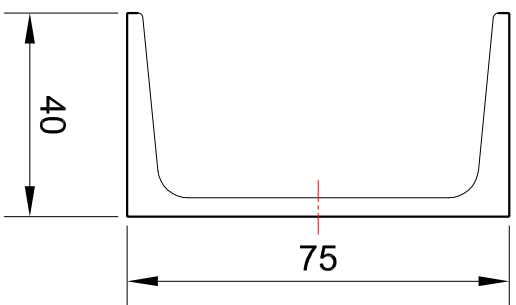
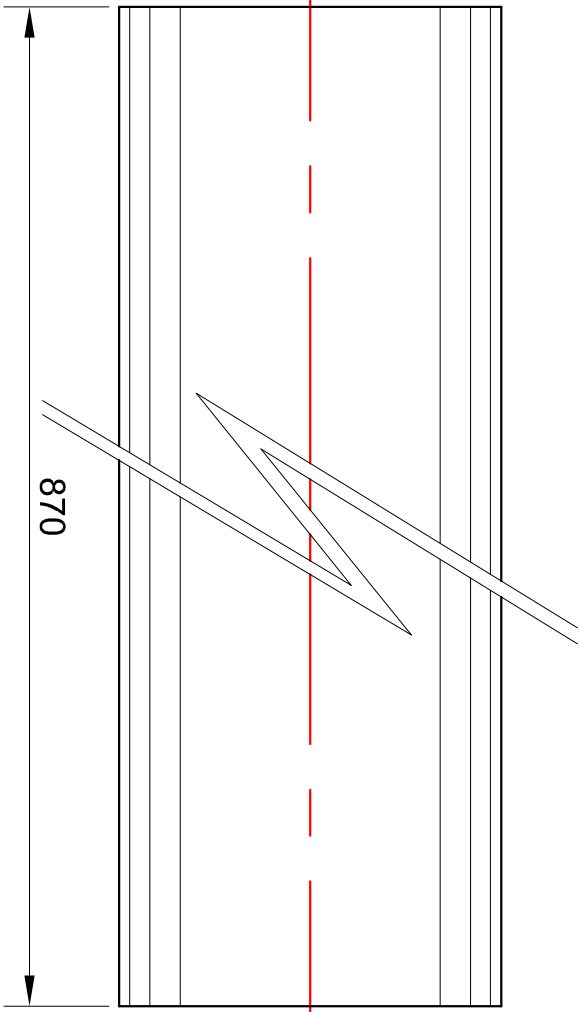
ITEM No.	DESCRIPTION	MATERIAL	QTY.	REMARK

TITLE
 LCW chiller plant top up tank stand

GOVERNMENT OF INDIA	DRN/DL	HGS/20.06.17
DEPARTMENT OF ATOMIC ENERGY	DGN/DL	HGS/20.06.17
RAJARAMANNA CENTRE FOR ADVANCED TECHNOLOGY	DGN CH/DL	T. Rajhu
PULSED HIGH POWER MICROWAVE SECTION	CH/DL	27.06.17
SCALE	INDEX	APP/DL
NTS		P. SHRIVASTAVA

SHEET No. 5 OF 8
 DRG. NO. RRCAT/AP/PH/PM/D/TR/HGS/17/06/RO-0

ITEM NO:1B
 MTL:ISLC-75
 Qty:02No



REV/No	ZONE	DESCRIPTION	DRN/Dt	APPD
REVISIONS				

NOTE:
 * ALL DIMENSIONS ARE IN mm, UNLESS OTHERWISE SPECIFIED.
 * REMOVE SHARP CORNERS, EDGES & BURRS.
 * GEN. TOLERANCES UNLESS OTHERWISE STATED.
 LINEAR DIMS.
 0 - 30 ± 0.2
 30 - 120 ± 0.3
 120 - 300 ± 0.5
 300 - 1000 ± 0.8
 1000 - 2000 ± 1.2
 2000 - 4000 ± 2.0

ANGULAR DIMENSIONS
 H/12 SHAFT H/12 UNLESS OTHERWISE SPECIFIED.
 THE SURFACE FINISH OF ALL MACHINED SURFACE SHALL BE $\sqrt{32}$

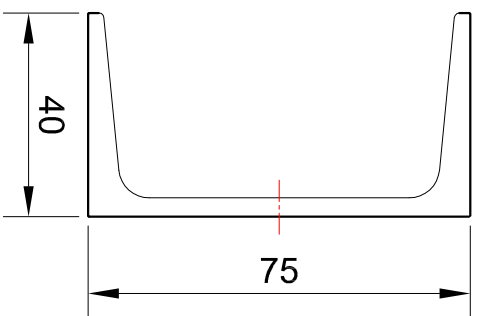
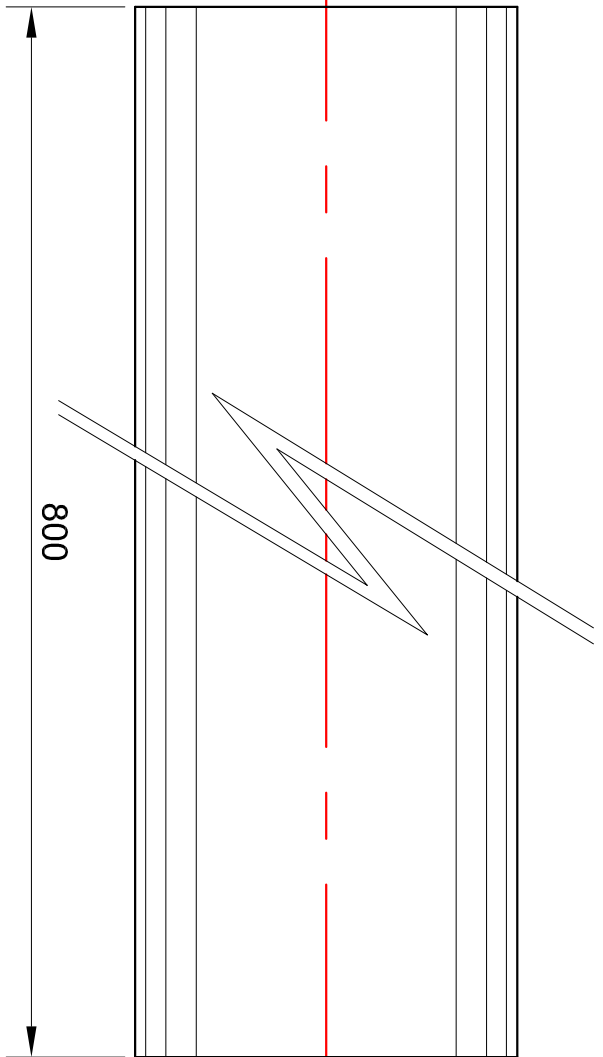
ITEM No.	DESCRIPTION	MATERIAL	QTY.	REMARK

TITLE LCW chiller plant top up tank stand

GOVERNMENT OF INDIA DEPARTMENT OF ATOMIC ENERGY RAJARAMANNA CENTRE FOR ADVANCED TECHNOLOGY PULSED HIGH POWER MICROWAVE SECTION	DRN/DL HGS/20.06.17
SCALE NTS	DGN/DL HGS/20.06.17
INDEX	DGN CH/DL T. Raghuram
CH/DL 27.08.17	APP/DL P. SHRINIVASTAVA

SHEET No. 6 OF 8
 DRG. NO. RRCAT/AP/PHMMD/TR/HGS/17/06/RO-0

ITEM NO:1B
 MTL:ISLC-75
 Qty:01Nos



NOTE:

- ALL DIMENSIONS ARE IN mm, UNLESS OTHERWISE SPECIFIED.
- REMOVE SHARP CORNERS, EDGES & BURRS.
- GEN. TOLERANCES UNLESS OTHERWISE STATED.
- LINEAR DIMS.

0 - 30	± 0.2
30 - 120	± 0.3
120 - 300	± 0.5
300 - 600	± 0.8
600 - 1000	± 1.2
1000 - 2000	± 1.5
2000 - 4000	± 2.0

ANGULAR DIMENSIONS OF HOLES IN 2 SHAFET IN 2 UNLESS OTHERWISE SPECIFIED. THE SURFACE FINISH OF ALL MACHINED SURFACE SHALL BE $\sqrt{32}$

ITEM No.	DESCRIPTION	MATERIAL	QTY.	REMARK

TITLE
 LCW chiller plant top up tank stand

GOVERNMENT OF INDIA		DR/IDL	HGS/20.06.17
DEPARTMENT OF ATOMIC ENERGY		DG/IDL	HGS/20.06.17
RAJARAMANNA CENTRE FOR ADVANCED TECHNOLOGY		DGN CH/IDL	T.Rajghu
PULSED HIGH POWER MICROWAVE SECTION		CH/IDL	27.06.17
SCALE	INDEX	APP/DL	P.SHRIYASTAVA
NTS			

SHEET No. 7 OF 8
 DRG.No. RRCAT/AP/PH/MD/TR/HGS/17/06/RO-0

REVISIONS

REV.No.	ZONE	DESCRIPTION	DRN/DL	APPD.

